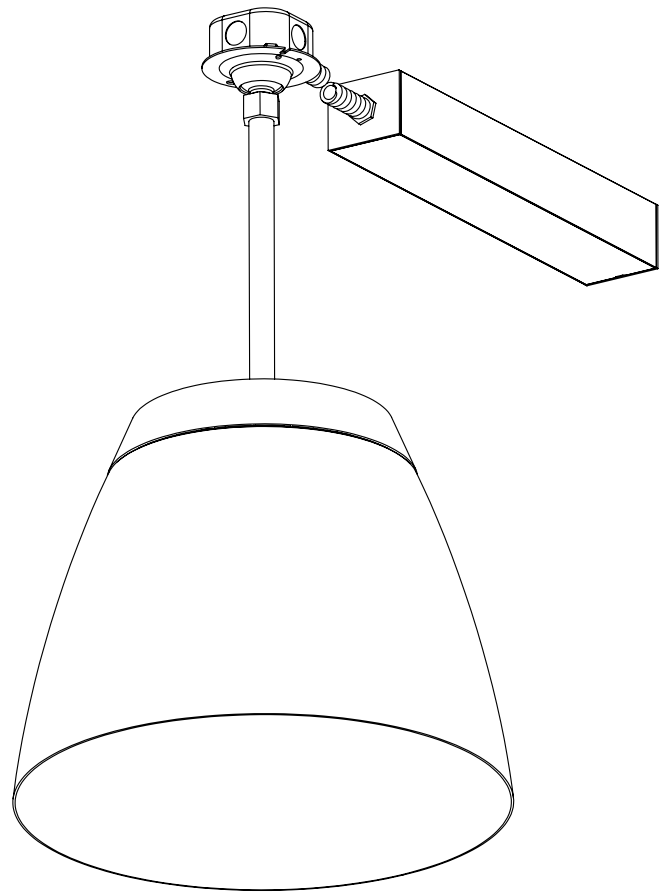
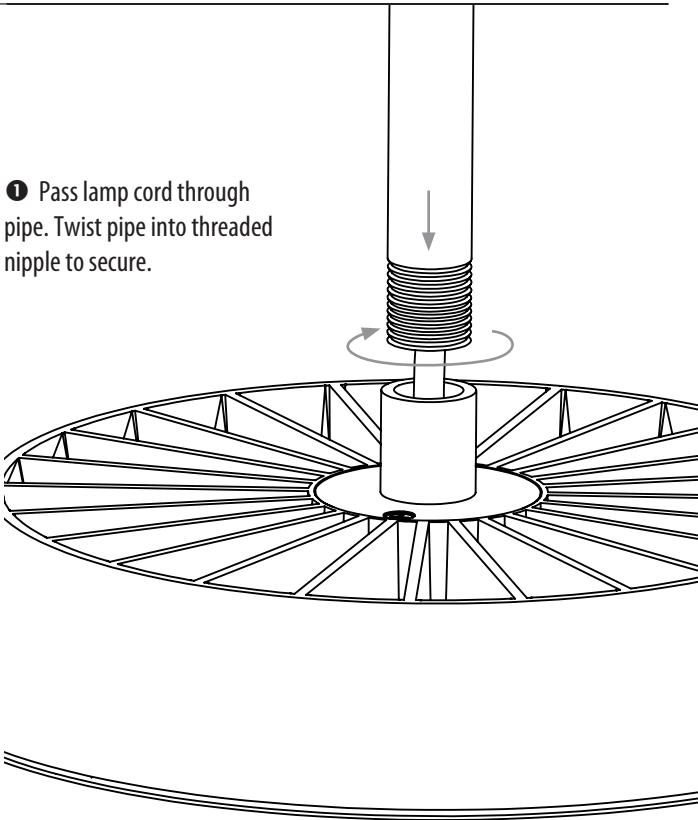
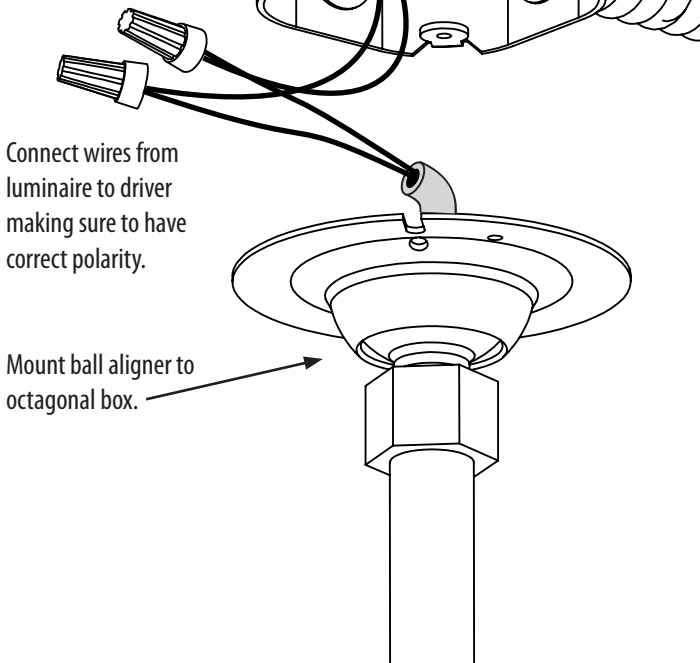


## 15230 STEM MOUNT INSTALLATION INSTRUCTIONS

- 1 Pass lamp cord through pipe. Twist pipe into threaded nipple to secure.



- 2 Run low voltage wires from remote driver to Octagonal box (box by others).



Connect wires from luminaire to driver making sure to have correct polarity.

Mount ball aligner to octagonal box.

Drivers must remain accessible after finished installation. Driver housings must not be mounted closer than 4 inches apart. Maximum distance from lamp to driver is 100 feet, with 10AWG wire.

